



3925

3925 SERIES

SAE Class 1 Rotator Beacon

BACK-UP
ALARMS

WARNING
LIGHTS

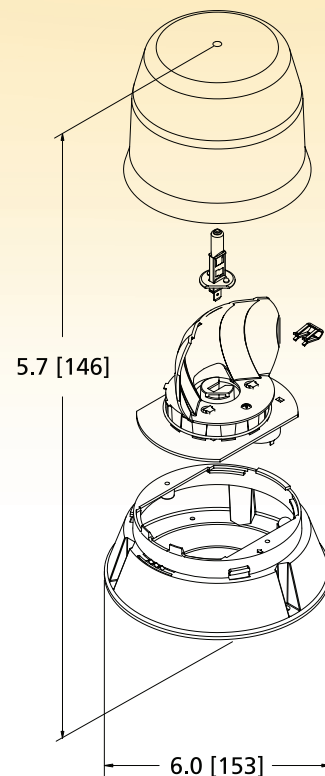
Available in a 3 bolt or magnet mounting, these rotating beacons produce 160 flashes per minute and SAE Class I light output. The 3925 series incorporates a smooth and quiet belt driven rotator mechanism providing a long and reliable service life. Reflectors incorporate free-form optics to maximize light output and beam spread.

Features

- Free-form optical reflector
- Belt driven mechanism
- Twist-on lens secures with a locking screw
- 55-watt halogen bulb
- SAE J845 Class I, CE, e, IP54
- Temperature Range: -22°F to +122°F (-30°C to +50°C)
- Warranty: Rotator = 1 year / Bulb = 90 days

Parts & Accessories

- Lens: L3925A
- Bulb: BB5211



Model	Flashes Per Minute	Voltage	Amps	Mounting	Color	SAE Class
3925A	160	12	5.2	3 Bolt Flange	Amber	1
3925A-MG	160	12	5.2	Magnetic	Amber	1

Amber models only available.

