

BACK-UP ALARM SPECIFICATIONS, INSTALLATION AND OPERATING INSTRUCTIONS

SOUND LEVEL: 102 dB(A)
SYSTEM VOLTAGES: 12 to 24 Volt Systems



SAFETY MESSAGE TO INSTALLERS OF BACK-UP ALARMS

People's lives depend on the safe installation of this product in conformance with these instructions. It is necessary to read, understand and follow all instructions shipped with the product. In addition, listed below are important safety instructions and precautions you should follow.

Failure to follow all safety precautions and instructions may result in property damage, serious injury, or death to those you are seeking to protect.

Back-Up Alarms are intended for commercial use. Proper installation of a Back-Up Alarm requires a good understanding of truck and heavy equipment electrical systems and procedures, along with proficiency in the installation and use of safety warning equipment.

When drilling into a vehicle structure, be sure that both sides of the surface are clear of anything that could be damaged.

Locate Back-Up Alarm so it will operate properly under all conditions. The location must provide protection from impact and adverse weather conditions while allowing unobstructed sound projection to the target hazard area.

Inspect the Back-Up Alarm system daily to ensure that it is audible and operating properly and that it is securely attached to the vehicle. More frequent inspections should be performed when:

The vehicle is operating in a particularly dirty environment.

The operator has reason to suspect the alarm has been damaged.

Increased background noise on the job site may interfere with the audibility of the alarm.

Store these instructions in a safe place and refer to them when maintaining and/or reinstalling the product.

A. SPECIFICATIONS (TYPICAL)

The Back-Up Alarm is a solid state audible warning device enclosed in a weather resistant housing. When activated, the Back-Up Alarm produces a tone that is interrupted at a rate of approximately 80 times per minute with equal on and off times. This alarm conforms to SAE J994 MAR85 recommendations excepting sound level types.

2.0 PHYSICAL SPECIFICATIONS

2.1	Electronics:	Solid state
2.2	Sealing:	Encapsulated to protect from dust, moisture and vibration.
2.3	Housing:	Black, 30% glass filled nylon
2.4	Dimensions:	4.32" Diameter x 1.75" Deep (109.7mm Dia x 44.5mm Deep)
2.5	Weight:	12 oz (340 gm)
2.6	Mounting:	4-1/2" diameter hole (114.3mm) to fit standard 4" round rubber grommet.
2.7	Operating Temperature:	-40°F to +185°F (-40°C to +85°C)

3.0 ELECTRICAL SPECIFICATIONS

3.1	Minimum voltage:	9.8 volts DC
3.2	Maximum voltage:	36.4 volts DC
3.3	System voltages:	12 to 24 volt systems
3.4	Input current:	0.3 amps average
3.5	Fuse at:	1.0 amp
3.6	Spike protection:	+100, -400 volts
3.7	Polarity:	Positive or negative ground, polarity protected
3.8	Connection:	3 conductor plug-in pigtail, see diagram for polarity connections.

4.0 OUTPUT SPECIFICATIONS

4.1	Sound level:	One level, 102 ± 4 dB(A) at 4 feet with 28 VDC applied. Slightly lower on lower voltages.
4.2	Sound dispersion:	Through 180° (graph available on request)
4.3	Pulse rate:	80 pulses per minute typical
4.4	Frequency:	1200 Hz typical

5.0 ADDITIONAL INFORMATION

5.1	Cleaning:	Unit will not be damaged if exposed to steam or spray cleaning. High pressure systems not recommended.
-----	-----------	--

Selection and installation of an alarm should meet the requirements of SAE J1446 MAY 1989 "ON-MACHINE ALARM TEST AND EVALUATION PROCEDURE FOR CONSTRUCTION AND GENERAL PURPOSE INDUSTRIAL MACHINERY", and all applicable codes. Operation of the vehicle in noisy environments may require an alarm that is louder than indicated in SAE J1446 MAY 89. Install an alarm that will be audible on the noisiest job site on which the vehicle will be used. Ground guidance should be provided to clear backing vehicles when the audibility of the alarm is in question.

B. INSTALLATION

Since this alarm is designed to concentrate its audible warning in the target hazard area it should be mounted approximately 4 ft. above ground level with the sound opening facing to the rear of the vehicle.

1. Select a mounting location at the rear of the vehicle that will provide protection from impact, debris and adverse weather conditions while allowing unobstructed sound projection to the target hazard area. The alarm's mounting configuration provides mounting flexibility and allows installation in a variety of locations.
2. See figure 1. Electrical diagram and physical dimensions.
3. Secure the unit on the vehicle with a standard 4" diameter rubber grommet. Be sure to maintain a dielectric grease seal in the connector to minimize terminal corrosion.
4. Use 18 gage (minimum) wire to electrically connect the alarm as shown in the Simplified Wiring Diagram. Figure 1A if vehicle back-up light circuit is used, or Figure 1B if a user installed switch is required.
5. Affix the Warning Label provided to the dash board of the vehicle in plain view of the operator and test the alarm for proper operation.

WARNING

The ground connection **MUST** be a dependable ground path for as long as the device is to be used. Route wire in a protected fashion in accordance with vehicle manufacturer recommendations.

NOTE: The Back-Up Alarm is sensitive to polarity and will not operate when connected backwards.

SAFETY MESSAGE TO OPERATORS OF BACK-UP ALARMS

Should the alarm become inoperative, it could jeopardize the safety or lives of those who depend on the alarm signal for safety.

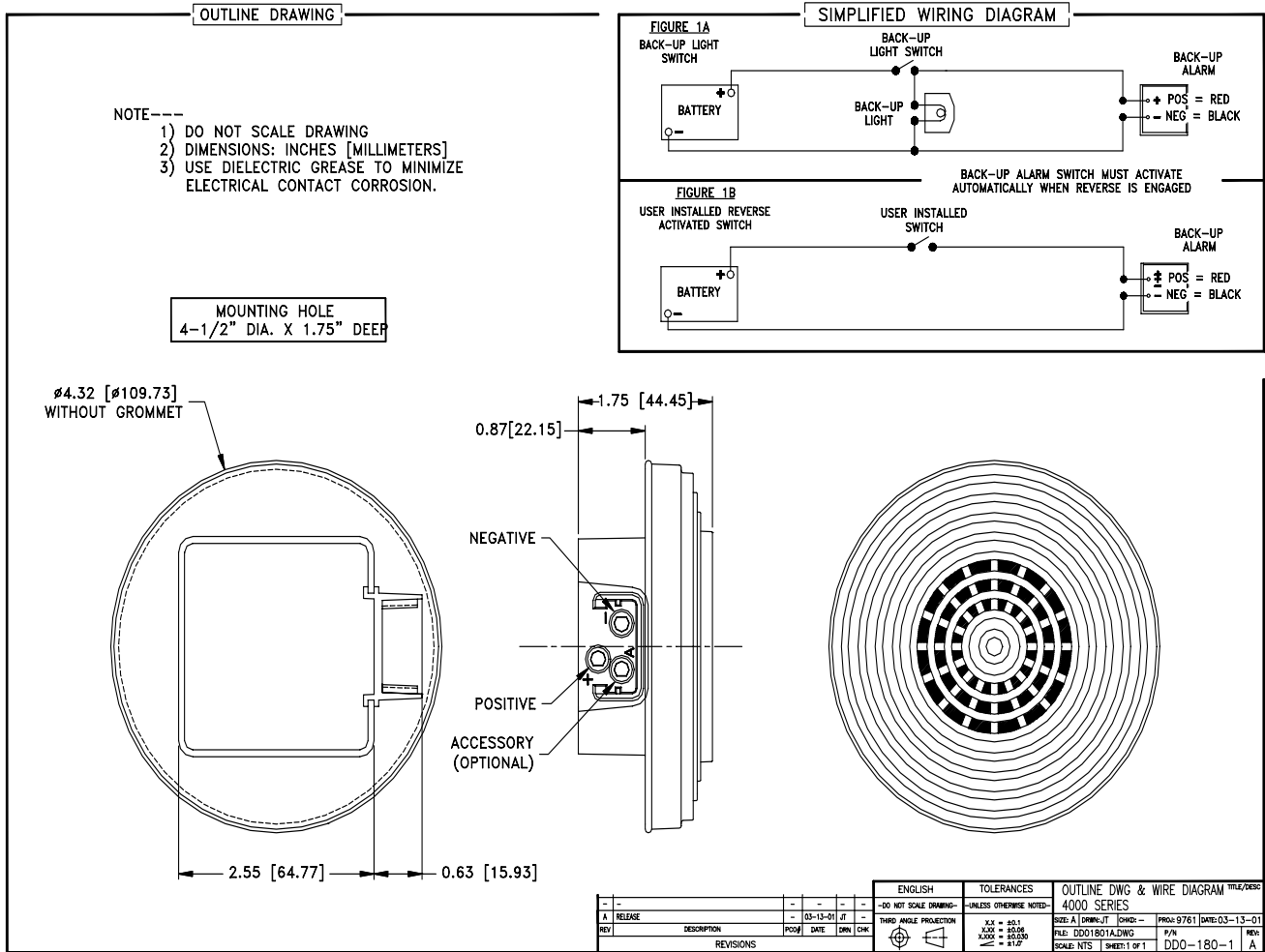
Testing the Back-Up Alarm should be listed on the daily maintenance report. The units on operating vehicles must be tested each day prior to the vehicle's operation. Results of this test must be recorded in the maintenance log.

Notify your supervisor that people operating this equipment **MUST** check for proper operation at the beginning of every shift.

C. MAINTENANCE

Alarm should be inspected and the sound opening kept clear of dust, mud, or other foreign material that may obstruct the sound opening.

D. FIGURE 1 - OUTLINE DRAWING AND WIRING DIAGRAM



MANUFACTURER LIMITED WARRANTY AND LIMITATION OF LIABILITY

Manufacturer warrants that on the Date of Purchase this Product will conform to Manufacturer's published specifications for the product, which are available from Manufacturer on request, and Manufacturer warrants that the product is free from defects in materials and workmanship. This Limited Warranty extends for twenty-four (24) months from the date of manufacture. Manufacturer will, at its option, repair or replace any product found by Manufacturer to be defective and subject to this Limited Warranty.

This Limited Warranty does not apply to parts or products that are misused; abused; modified; damaged by accident, fire or other hazard; improperly installed or operated; or not maintained in accordance with the maintenance procedures set forth in Manufacturer's Installation and Operating Instructions.

To obtain warranty service, you must ship the product(s) to the specified Manufacturer location within thirty (30) days from expiration of the warranty period. You must fill out the warranty claim form and include the form with the product. You must prepay shipping charges and use the original shipping container or equivalent. Return shipping charges within the United States, Canada, and Puerto Rico will be paid by Manufacturer. This Limited Warranty will apply only to a product purchased and located in the United States, Canada, or Puerto Rico.

EXCLUSION OF OTHER WARRANTIES: MANUFACTURER MAKES NO OTHER WARRANTIES, EXPRESSED, IMPLIED OR STATUTORY. THE IMPLIED WARRANTIES FOR MERCHANTABILITY OR FITNESS FOR A PARTICULAR PURPOSE ARE HEREBY EXCLUDED AND SHALL NOT APPLY TO THE PRODUCT. BUYER'S SOLE AND EXCLUSIVE REMEDY IN CONTRACT, TORT OR UNDER ANY OTHER THEORY AGAINST MANUFACTURER RESPECTING THE PRODUCT AND ITS USE SHALL BE THE REPLACEMENT OR REPAIR OF THE PRODUCT AS DESCRIBED ABOVE.

LIMITATION OF LIABILITY: IN THE EVENT OF LIABILITY FOR DAMAGES ARISING OUT OF THIS LIMITED WARRANTY OR ANY OTHER CLAIM RELATED TO MANUFACTURER'S PRODUCTS, MANUFACTURER'S LIABILITY FOR DAMAGES SHALL BE LIMITED TO THE AMOUNT PAID FOR THE PRODUCT AT THE TIME OF ORIGINAL PURCHASE. IN NO EVENT SHALL MANUFACTURER BE LIABLE FOR LOST PROFITS, THE COST OF SUBSTITUTE EQUIPMENT OR LABOR, PROPERTY DAMAGE, OR OTHER SPECIAL, CONSEQUENTIAL OR INCIDENTAL DAMAGES BASED UPON ANY CLAIM FOR BREACH OF CONTRACT, NEGLIGENCE OR OTHER CLAIM, EVEN IF MANUFACTURER OR A MANUFACTURER'S REPRESENTATIVE HAS BEEN ADVISED OF THE POSSIBILITY OF SUCH DAMAGES. Manufacturer shall have no further obligation or liability with respect to the product or its sale, operation and use, and Manufacturer neither assumes nor authorizes the assumption of any other obligation or liability in connection with such product.

This Limited Warranty gives you specific legal rights, and you may also have other legal rights which vary from state to state. Some states do not allow the exclusion or limitation of incidental or consequential damages, so the above exclusion or limitation may not apply to you.

Any oral statements or representations about the product which may have been made by salesmen or Manufacturer representatives do not constitute warranties. This Limited Warranty may not be amended, modified or enlarged, except by a written agreement signed by an authorized official of Manufacturer which expressly refers to this Limited Warranty.