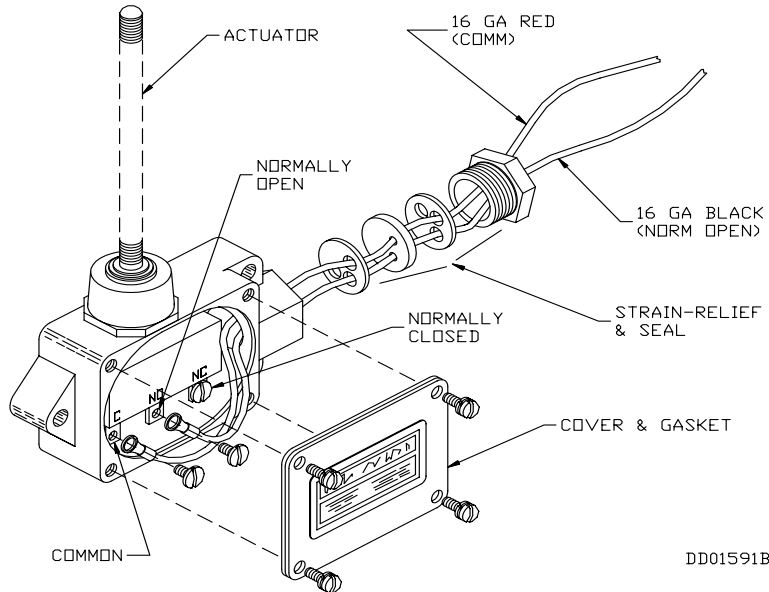


INSTALLATION INSTRUCTIONS

Switch furnished assembled. Exploded assembly shown for reference.

Back-Up Alarms should be listed on the daily maintenance report. The units on operating vehicles must be tested each day prior to the vehicle's operation. A record of this test is to be recorded in the maintenance file.

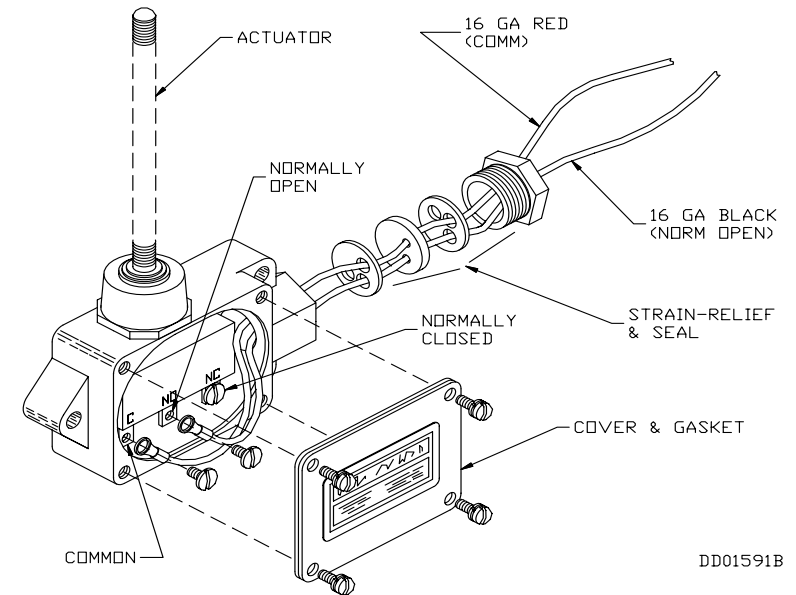


- A. Select a convenient location for mounting the switch, either at the reverse gear linkage or shift lever, so the outer end of the switch actuating arm will be moved a minimum of one inch when the vehicle is put into reverse. Contact with the actuating arm should be made approximately 1-1/2 inches from the end.
- B. Feed wires or cable to this location. One of the leads from a terminal of the Back-Up Alarm and the other from a good source of vehicle power.
- C. Connect Back-Up Alarm wire to the black switch lead, "norm open (NO)", and the power wire to the switch red lead, "common (COM)".
- D. Install switch on the vehicle in the desired position.
- E. Check Back-Up Alarm system for proper operation before using vehicle.

INSTALLATION INSTRUCTIONS

Switch furnished assembled. Exploded assembly shown for reference.

Back-Up Alarms should be listed on the daily maintenance report. The units on operating vehicles must be tested each day prior to the vehicle's operation. A record of this test is to be recorded in the maintenance file.



- A. Select a convenient location for mounting the switch, either at the reverse gear linkage or shift lever, so the outer end of the switch actuating arm will be moved a minimum of one inch when the vehicle is put into reverse. Contact with the actuating arm should be made approximately 1-1/2 inches from the end.
- B. Feed wires or cable to this location. One of the leads from a terminal of the Back-Up Alarm and the other from a good source of vehicle power.
- C. Connect Back-Up Alarm wire to the black switch lead, "norm open (NO)", and the power wire to the switch red lead, "common (COM)".
- D. Install switch on the vehicle in the desired position.
- E. Check Back-Up Alarm system for proper operation before using vehicle.